



SIKORSKY S-70i™  
**BLACK HAWK** HELICOPTER





COMBAT ASSAULT



MEDEVAC



ARMED



EXTERNAL LIFT



# THE MODERN LEGEND

## LEGENDARY

The Sikorsky BLACK HAWK helicopter has earned its standing as the preferred utility aircraft of militaries worldwide. Designed to strict military standards, its ruggedness, dependability and versatility have made this aircraft a legend.

## RELIABLE

More than 3,000 BLACK HAWK helicopters are in service today. This fleet has flown more than 10 million flight hours in some of the most rigorous conditions known, successfully completing missions ranging from utility transport, search and rescue, to combat assault armed support, and beyond.

## SUPPORTABLE

Sikorsky brings together its OEM expertise along with unique experiences to support the BLACK HAWK helicopter. From spares, overhaul and repair to programs such as performance-based logistics, contractor logistics support and military depot partnerships, Sikorsky offers innovative services designed to increase flying time, improve ease of use and reduce cost of ownership, allowing you to focus on your mission.

## READY

The Sikorsky S-70i™ BLACK HAWK is ready now to deliver its legendary and best in class mission performance. Backed by a world class training and support infrastructure, the S-70i BLACK HAWK helicopter has been configured by our team of military aviation experts to deliver the right capabilities for the right mission. From basic utility, to advanced combat search and rescue missions, the BLACK HAWK is ready now.



SEARCH AND RESCUE



FIREFIGHTING



MARITIME PATROL AND SAR



VIP TRANSPORT



# PROVEN, RUGGED, FLEXIBLE MULTI-ROLE AIRCRAFT



Photo courtesy of EPML Spotters

## INDUSTRY-LEADING SERVICE AND SUPPORT

Sikorsky brings together its OEM expertise with the unique strengths of our leading aircraft service to provide innovative platform solutions to meet your demanding aviation service needs.

### Pilot and Maintenance Training

- Basic to advanced courses
- Full motion flight simulator
- Virtual Cockpit Procedures Trainer to reinforce cockpit learning

### Helotrac 2X Maintenance Management Tool

- Significantly reduces maintenance record keeping
- Manages inventory of spares
- Provides fleet availability metrics

### Integrated Vehicle Health and Usage Monitoring System

- Speeds entry into service after maintenance by reducing maintenance workload

### Interactive Electronic Technical Manuals (IETMS)

- Provide access to entire S-70i™ technical publications suite through an easily navigable and searchable Web-based application

### 24/7/365 Helpdesk Support

- Sikorsky technical help available 24 hours a day, 7 days a week, 365 days a year

## STANDARD BLACK HAWK CONFIGURATIONS

Additional integrated options available for each configuration to increase mission capability.

	UTILITY	MULTI-MISSION	ADVANCED MULTI-MISSION	ADVANCED MULTI-MISSION +
GE-T701D Engines with Integral Particle Separator	•	•	•	•
Wide Chord Main Rotor Blades for Improved Performance	•	•	•	•
Glass Cockpit with Digital Automatic Flight Control System	•	•	•	•
Integrated NVG Compatible Displays and Lighting	•	•	•	•
4-axis Autopilot through Coupled Flight Director	•	•	•	•
Active Vibration Control	•	•	•	•
Troop Seats (11) + Gunner/Crew Chief Seats (LH/RH) (2)	•	•	•	•
Armored Pilot/Copilot Seats with Armored Wings	•	•	•	•
Integrated Vehicle Health Monitoring System	•	•	•	•
Dual Embedded Global Positioning/Inertial Navigation Unit, Honeywell H-764E	•	•	•	•
Dual Raytheon MXF-4027 UHF/VHF – AM/FM Radios	•	•	•	•
APX-117 IFF Transponder	•	•	•	•
Artex C-406N ELT	•	•	•	•
VOR/ILS Receiver	•	•	•	•
Low Frequency Automatic Direction Finder (LF/ADF)	•	•	•	•
Terrain Awareness and Warning System	•	•	•	•
Mission Planning System	•	•	•	•
Regional Maps	•	•	•	•
Cargo Hook, 9,000 Pound Capacity	•	•	•	•
External Electric Rescue Hoist	•	•	•	•
TACAN	•	•	•	•
Troop Commander Antenna		•	•	•
Integrated ARC-220 HF Radio		•	•	•
Talon 8108C Radio		•	•	•
Provisions for M134 Window Gun		•	•	•
Provisions for Internal and External Auxiliary Fuel		•	•	•
Provisions for Forward Looking Infrared System (FLIR)		•	•	•
DF-500 SAR Direction Finder			•	•
Forward Looking Infrared System (FLIR)			•	•
Fast Rope Insertion/Extraction System (FRIES)			•	•
Integrated Primus 701A Weather Radar			•	•
Provisions for Loud Hailer and Nightsun®			•	•
Rotor Brake				•
CEFS + Tanks (2)				•
Nightsun®				•
12th Troop Seat				•
Triple Patient Litter System				•

### Quick Install Options include:

Cargo Hook, 12th Troop Seat, Rotor Brake, Internal Auxiliary Fuel Completion, Mag-58 Window Gun mount, Fast Rope System (FRIES) and Rescue Hoist.

# UNMATCHED SAFETY AND SURVIVABILITY

## HELICOPTER SPECIFICATIONS

The modern S-70i™ BLACK HAWK helicopter incorporates advancements that connect this remarkable aircraft into the fast-pace, digital information world that exists today. So whatever your mission is, the BLACK HAWK helicopter will provide excellent support to your everyday needs.

With its state of the art and fully integrated digital glass cockpit, the BLACK HAWK helicopter brings unprecedented situational awareness demanded by today's complex mission environments.

The BLACK HAWK is available in four standard configurations designed to execute the full spectrum of today's mission requirements. From utility to complex combat search and rescue missions, the BLACK HAWK stands ready to deliver the legendary performance and superior value that has made it the aircraft of choice for the U.S. Army and 27 other nations around the world.

### PERFORMANCE

Maximum Takeoff Gross Weight	9,979 kg	22,000 lbs
Maximum Gross Weight with External Load	10,659 kg	23,500 lbs
Maximum External Load	4,082 kg	9,000 lbs
Maximum Cruise Speed*	296 km/hr	160 kts
HIGE Ceiling**	4,572 m	15,000 ft
HOGC Ceiling**	3,353 m	11,000 ft
AEO (All Engines Operating) Service Ceiling**	6,096 m	20,000 ft
Number of Engines	2	
Engine Type	T700-GE701D	
Cabin Width	2.14 m	7.0 ft
Cabin Height	1.37 m	4.5 ft
Cabin Area	8.18 sq.m	88 sq.ft
Cabin Volume	11.22 cu.m	396 cu.ft

\*Standard day, sea level

\*\*Ceiling for 18,000 lbs GW (8,165 kg)



ADVANCED GLASS COCKPIT



FRIES BAR



M134 WINDOW GUN PROVISIONS



RESCUE HOIST



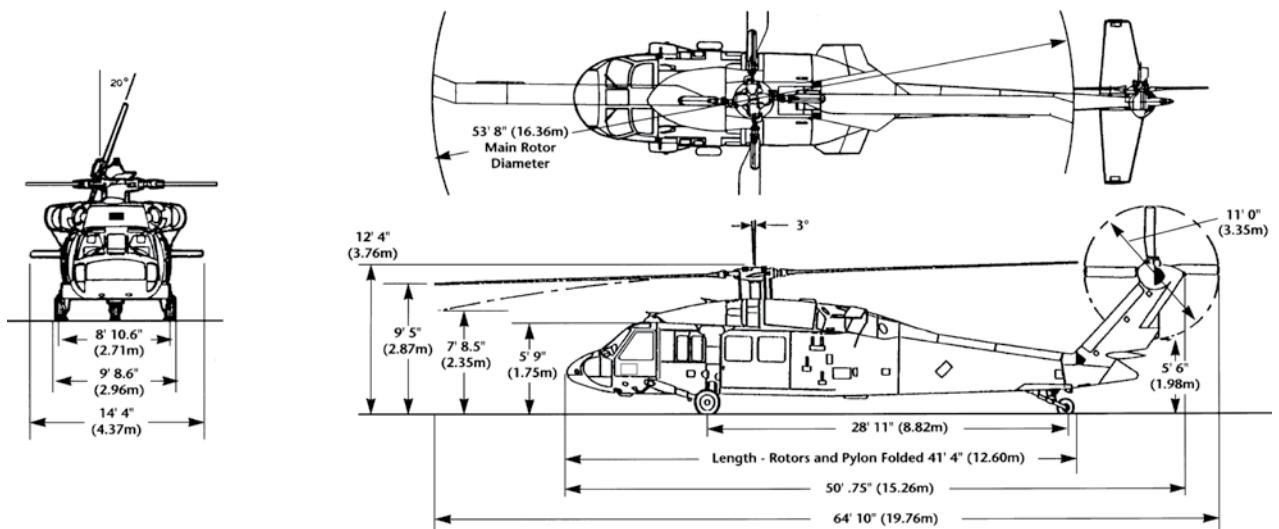
OPTIONAL INTERIOR GUN MOUNT  
(M3M .50 CAL SHOWN)



FOLDING TROOP SEATS (11)

# MISSION CAPABILITY

	UTILITY	MULTI-MISSION	ADVANCED MULTI-MISSION	ADVANCED MULTI-MISSION +	INCREASED CAPABILITY THROUGH OPTIONS
Tactical Troop Transport	•	•	•	•	•
Tactical Air Transportability	•	•	•	•	•
Night Vision Device Operations	•	•	•	•	•
Tactical Formation Flight	•	•	•	•	
Convoy Escort	•	•	•	•	•
Internal Cargo Transport	•	•	•	•	
Border Protection and Law Enforcement	•	•	•	•	•
Humanitarian Assistance	•	•	•	•	•
Maritime Operations and Coastal Patrol	•	•	•	•	•
Self Deployment	•	•	•	•	•
Medical Evacuation	•	•	•	•	•
External Cargo	•	•	•	•	•
Search and Rescue	•	•	•	•	•
Rescue Hoist Operations	•	•	•	•	•
Enhanced Communications		•	•	•	•
Minigun Provisions		•	•	•	•
Combat Search and Rescue			•	•	•
Command and Control			•	•	•
Fast Rope Insertion			•	•	•
Surface Surveillance and Targeting			•	•	•
TACAN Navigation				•	•
Extended Range Ops				•	•
Attack					•
Executive Transport or Head of State Operations					•



# WE'RE ENGINEERING A BETTER TOMORROW

6900 Main Street, Stratford, Connecticut 06615 USA  
+1 (800) WINGED-S (946-4337)  
[www.lockheedmartin.com/sikorsky](http://www.lockheedmartin.com/sikorsky)

